

Chapter 24

Fuselage frames and wing ribs

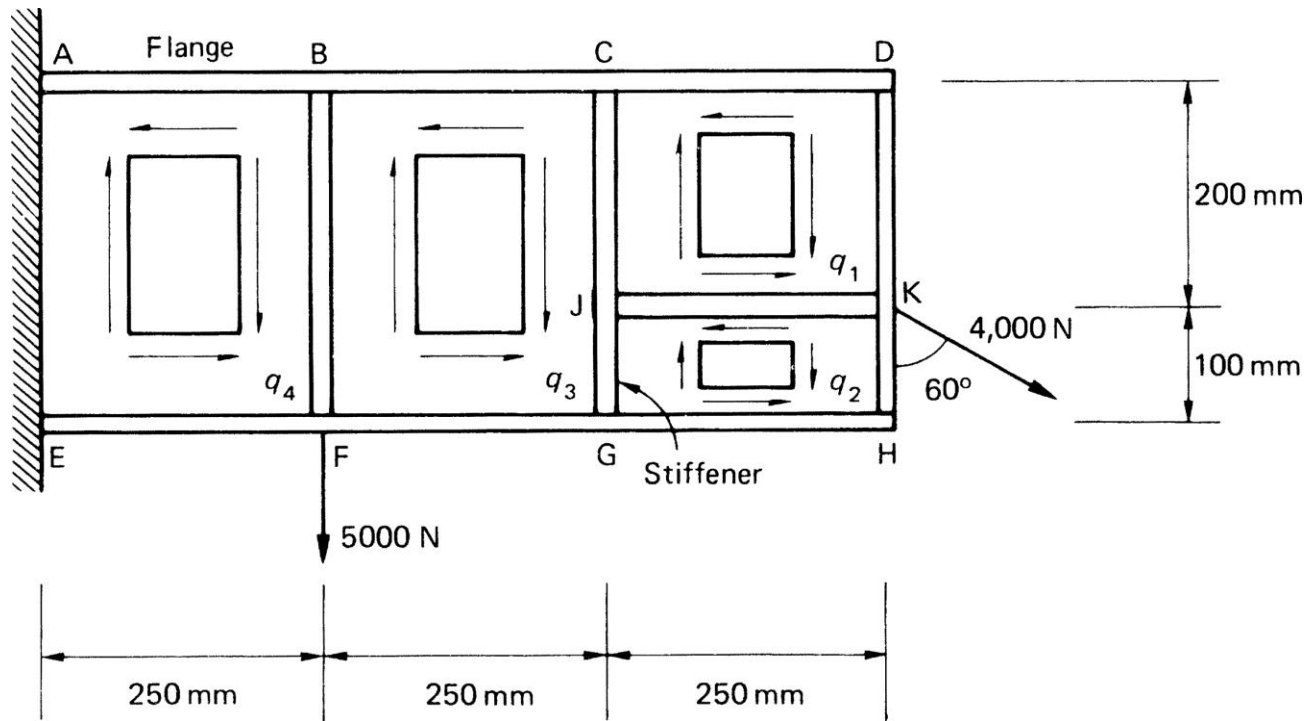


FIGURE 24.1 Cantilever Beam of Example 24.1

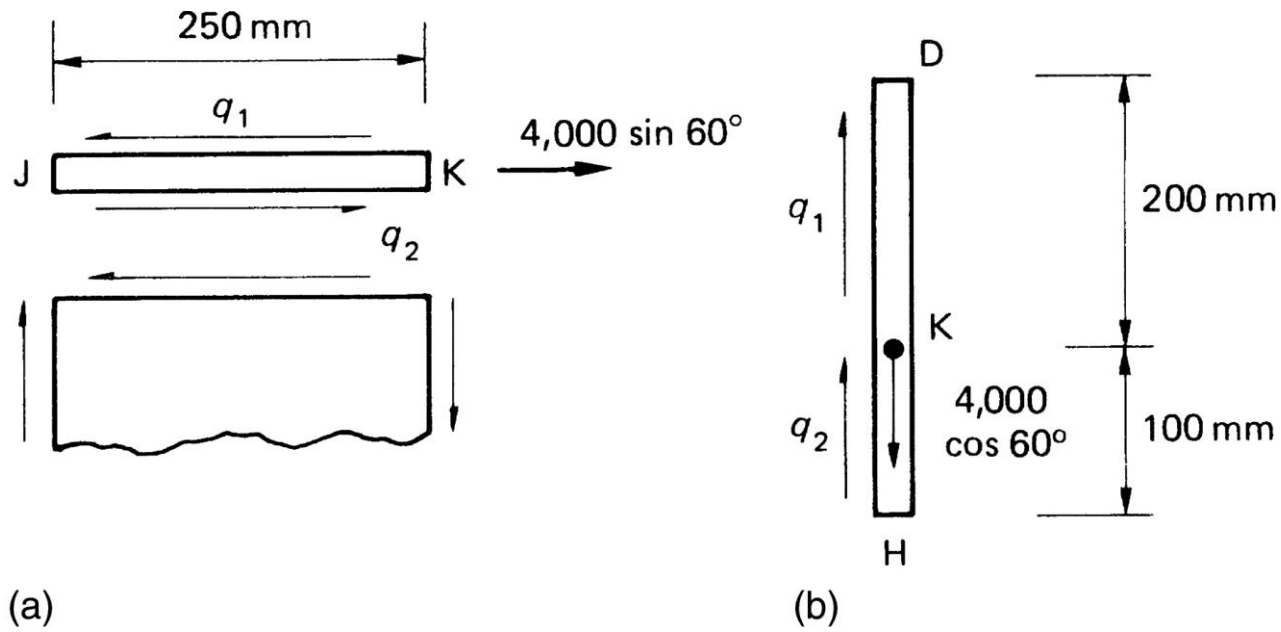


FIGURE 24.2 Free Body Diagrams of Stiffeners JK and HKD in the Beam of Example 24.1

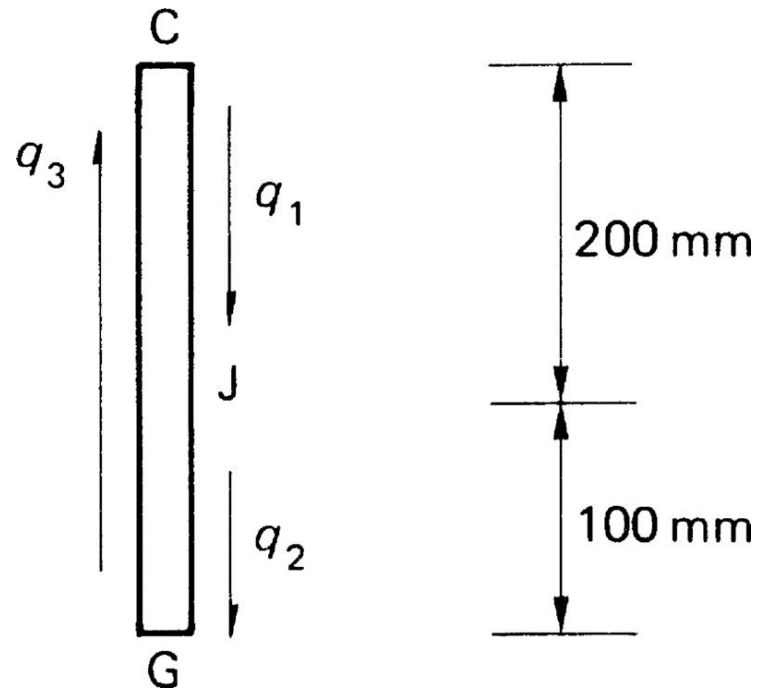


FIGURE 24.3 Equilibrium of Stiffener CJG in the Beam of Example 24.1

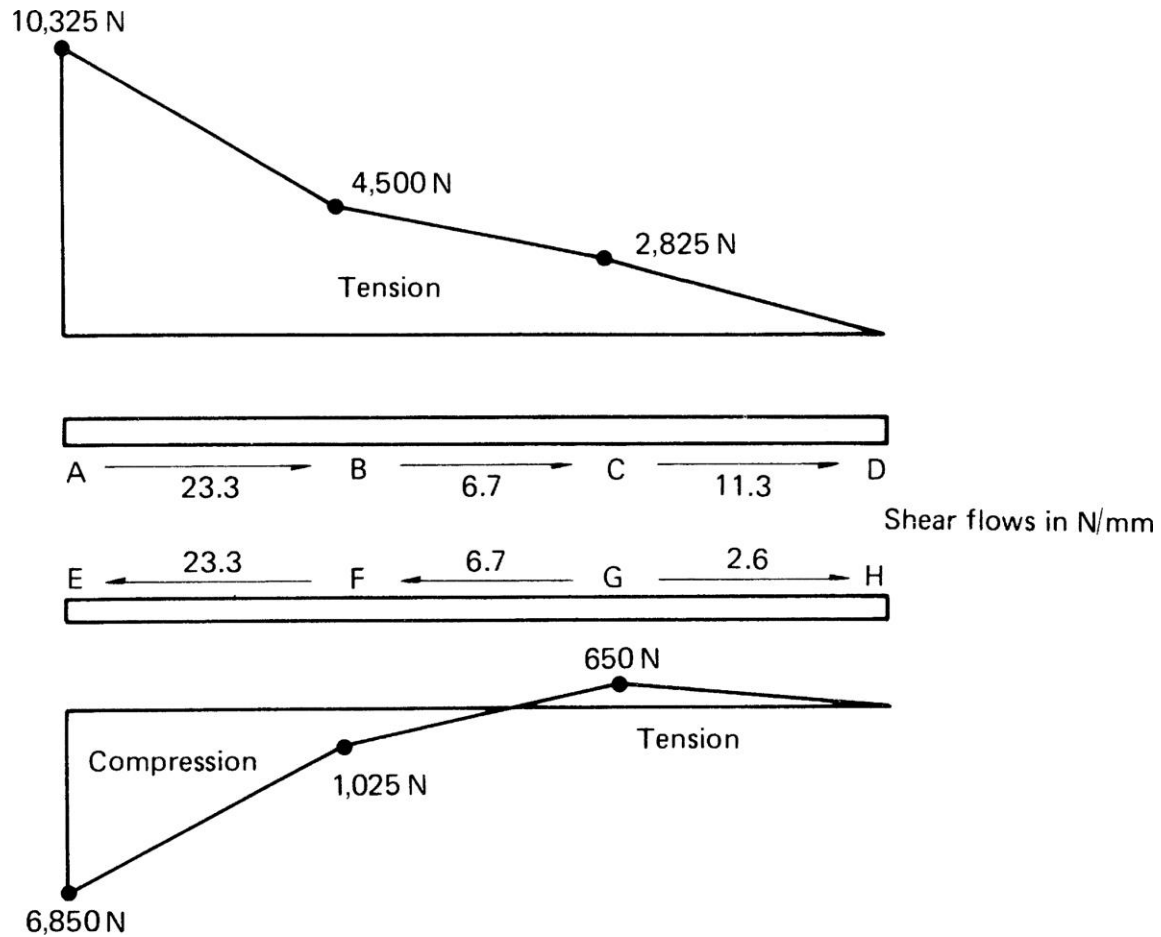


FIGURE 24.4 Load Distributions in Flanges of the Beam of Example 24.1

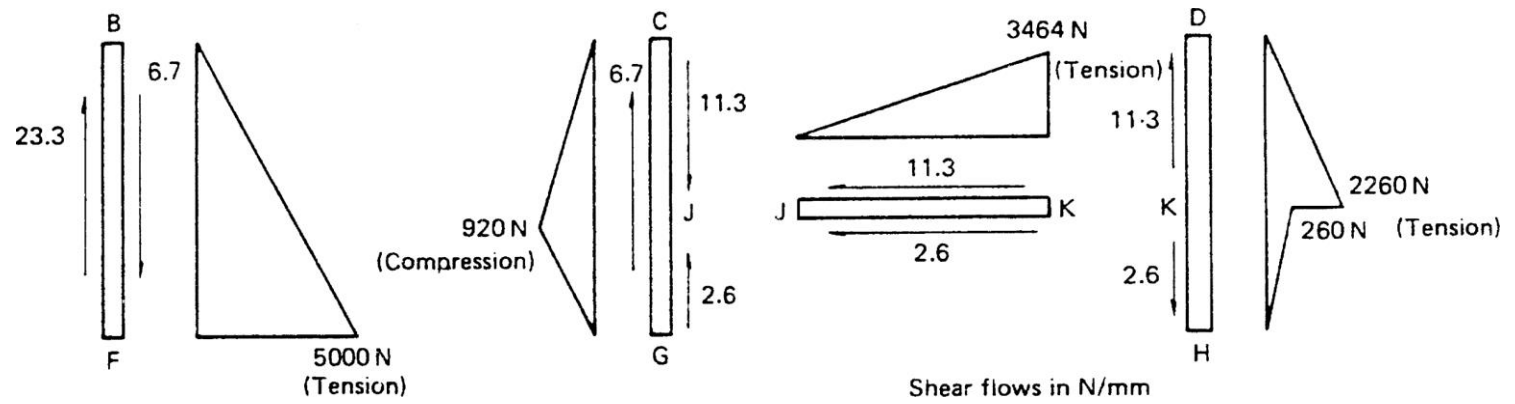


FIGURE 24.5 Load Distributions in Stiffeners of the Beam of Example 24.1

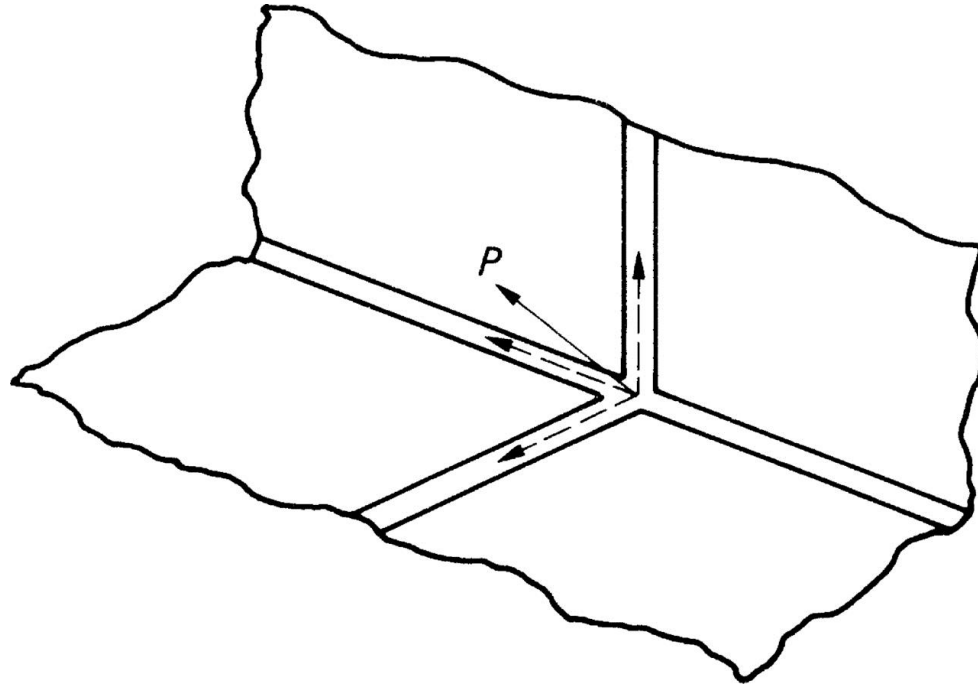


FIGURE 24.6 Structural Arrangement for an Out-of-Plane Load

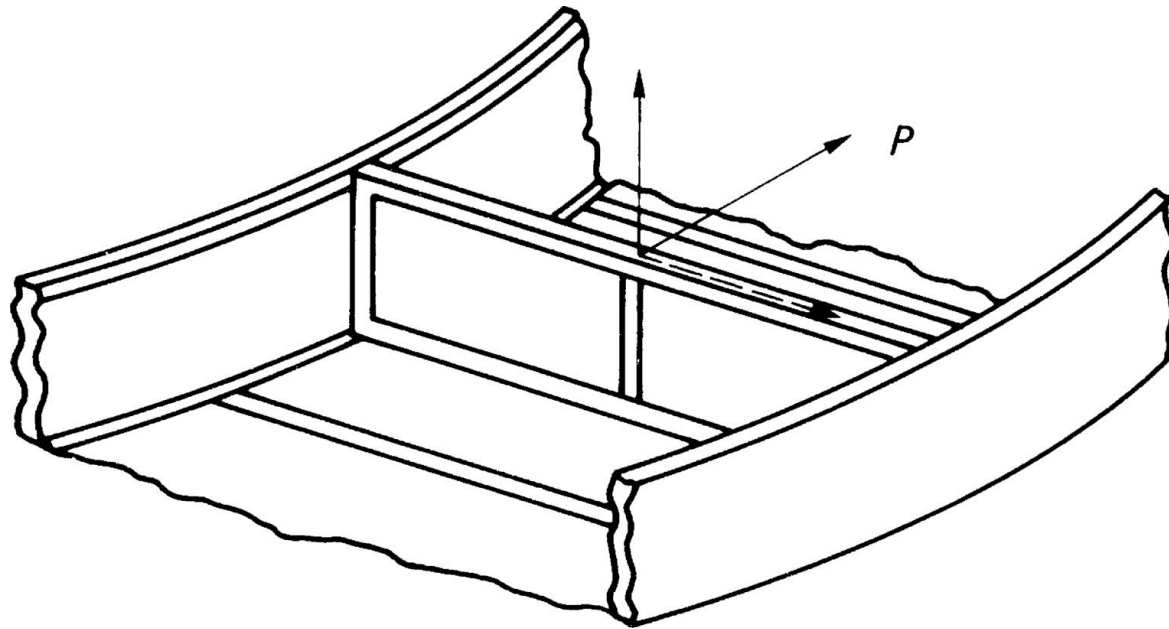


FIGURE 24.7 Support of Load Having a Component Normal to a Web

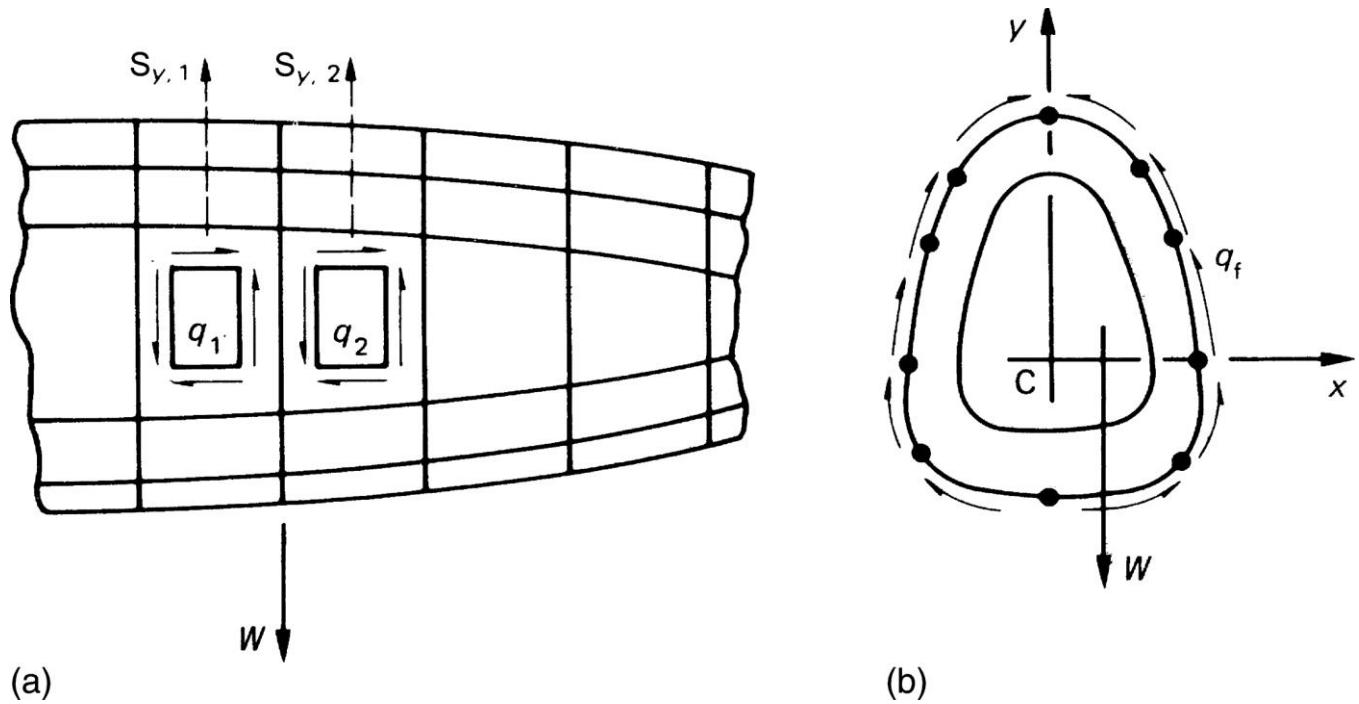


FIGURE 24.8 Loads on a Fuselage Frame

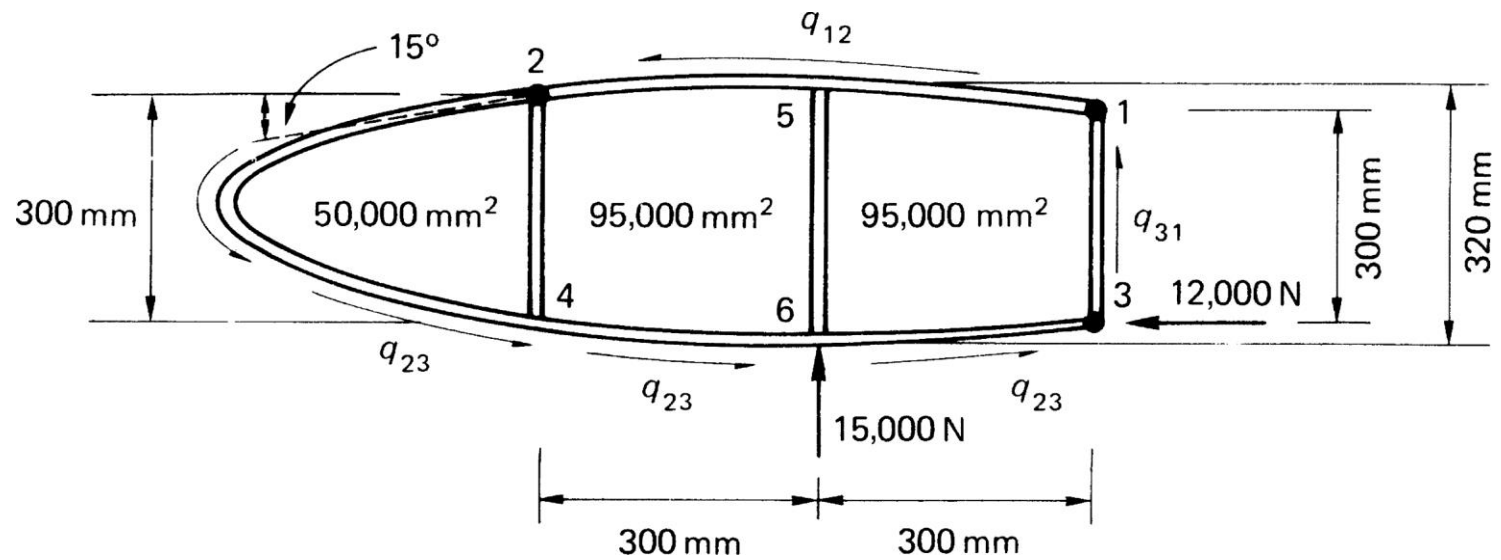


FIGURE 24.9 Wing Rib of Example 24.2

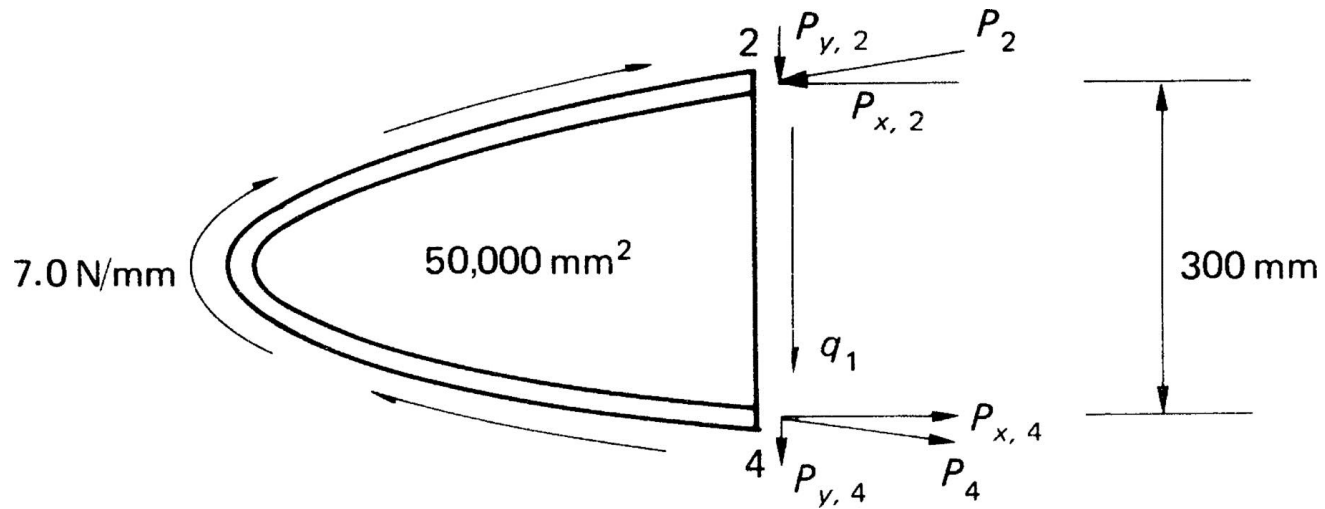


FIGURE 24.10 Equilibrium of Nose Portion of the Rib

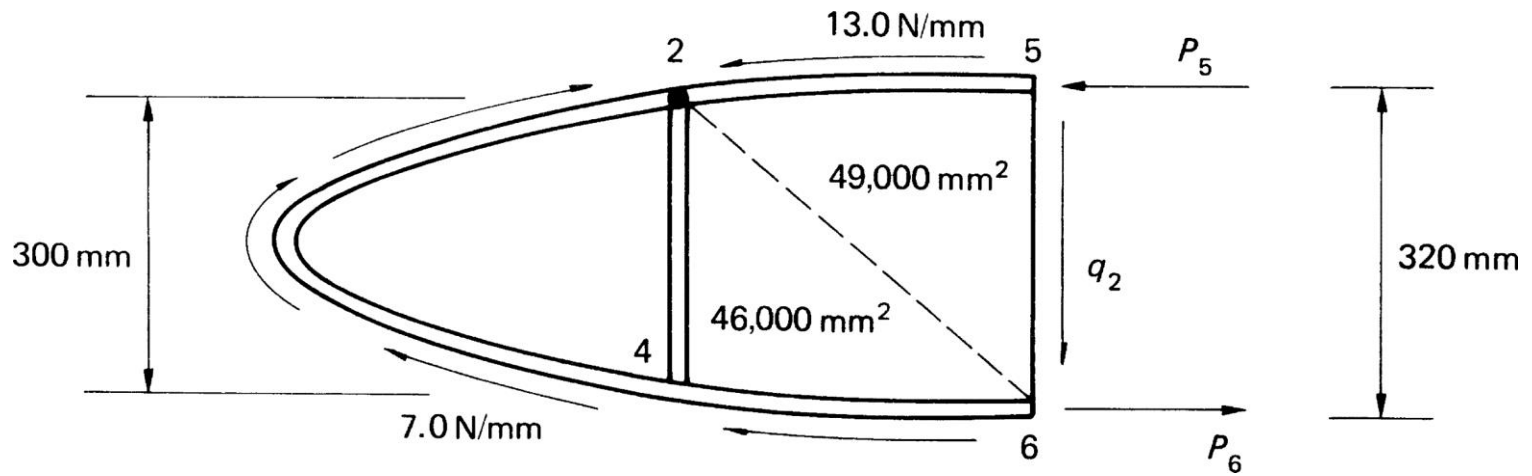


FIGURE 24.11 Equilibrium of Rib Forward of Intermediate Stiffener 56

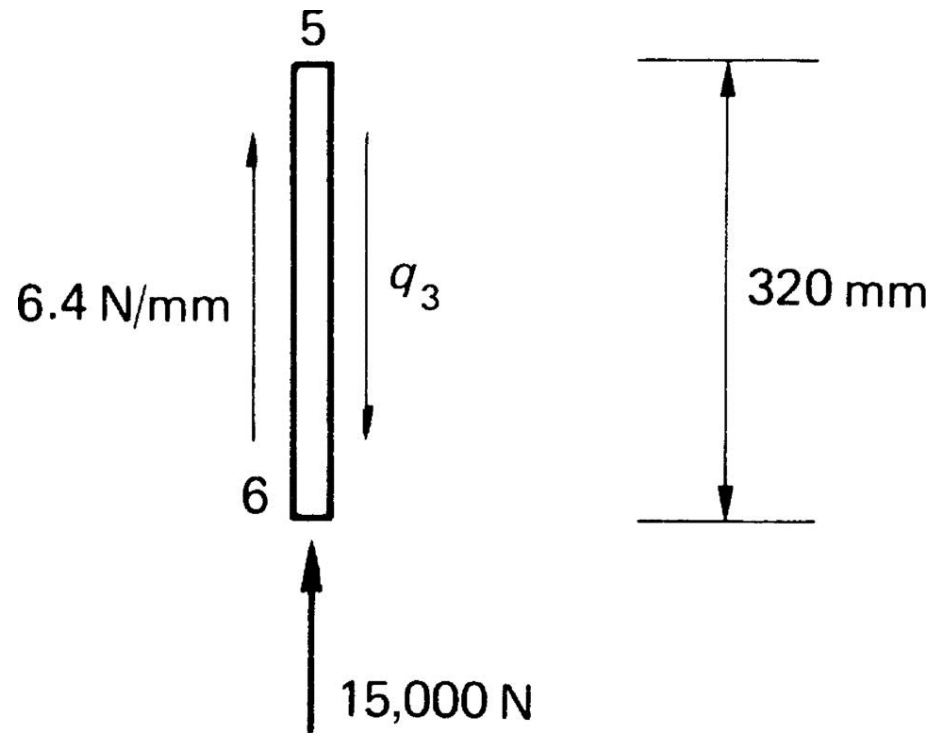


FIGURE 24.12 Equilibrium of Stiffener 56

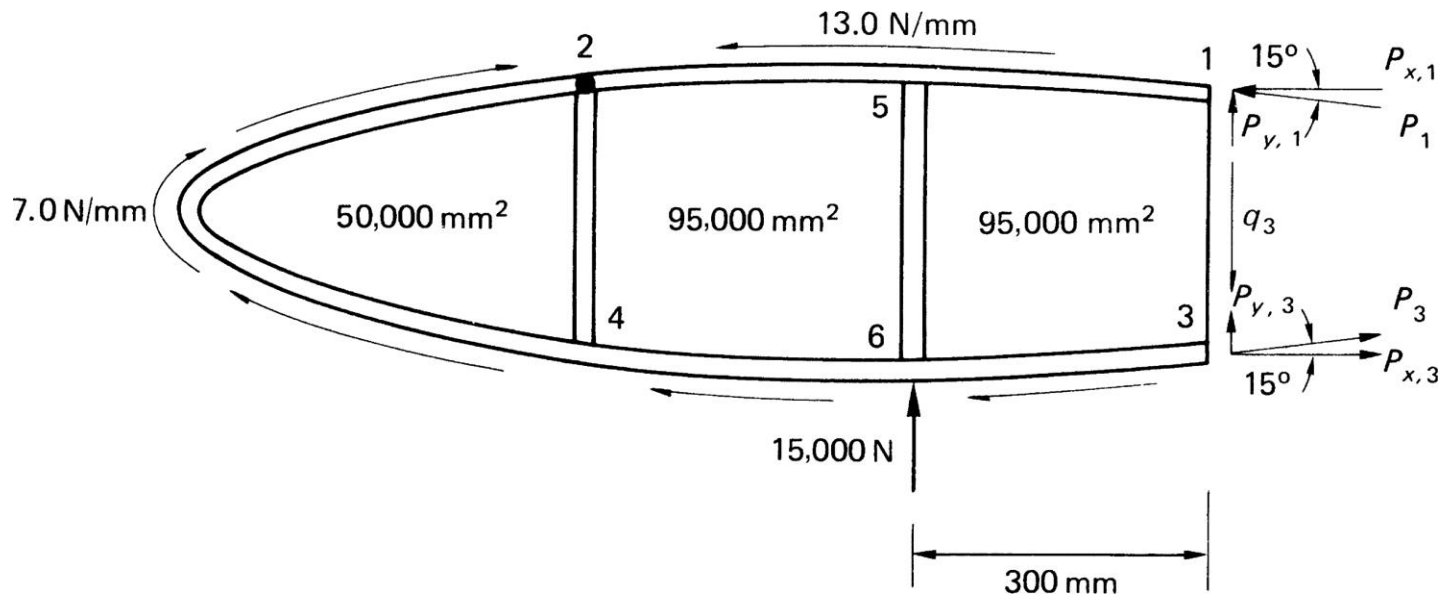


FIGURE 24.13 Equilibrium of the Rib Forward of Stiffener 31

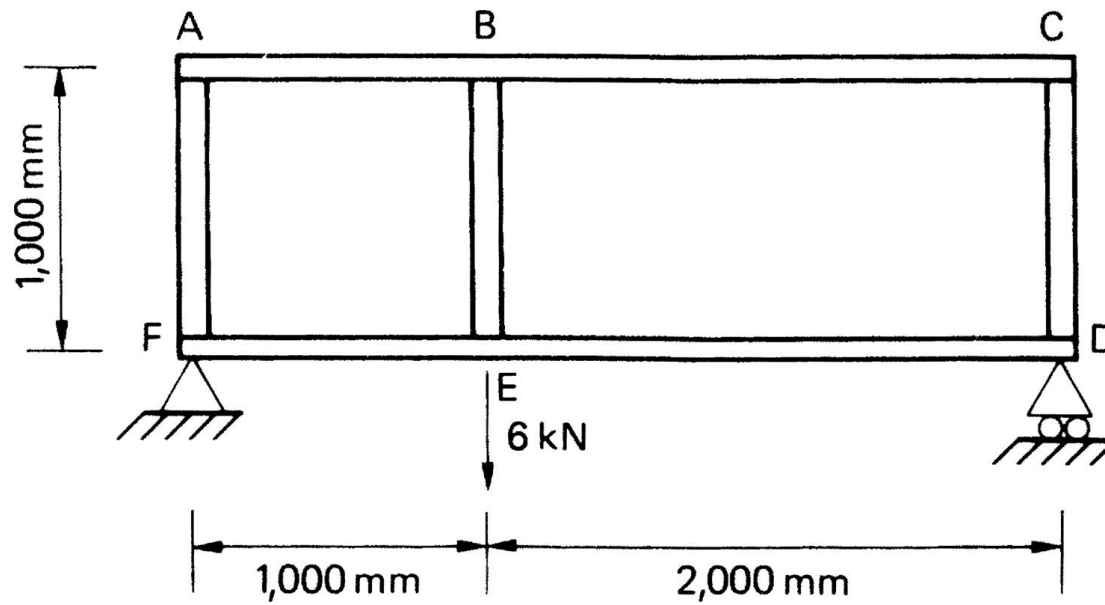


FIGURE P.24.1

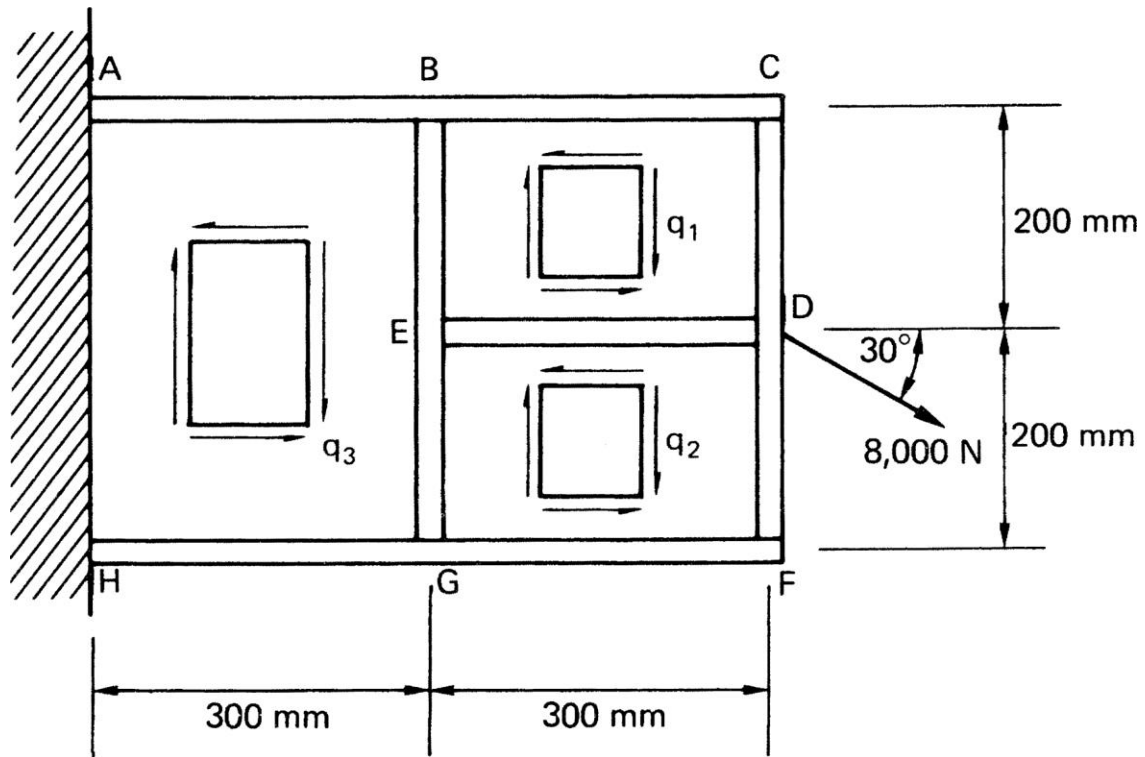


FIGURE P.24.2

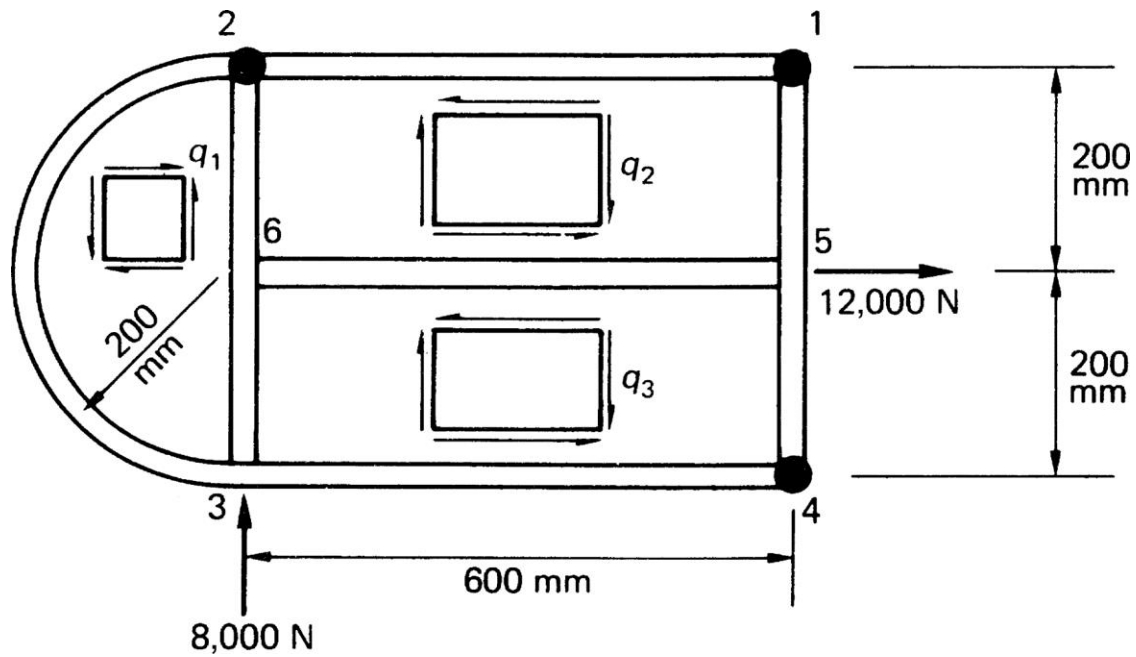


FIGURE P.24.3